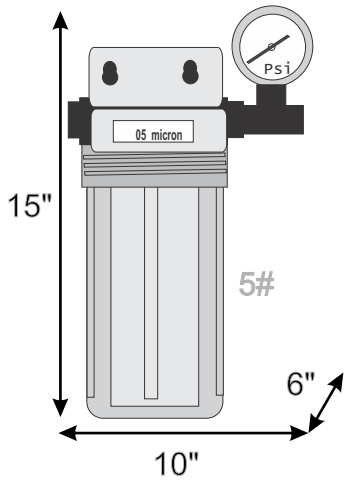
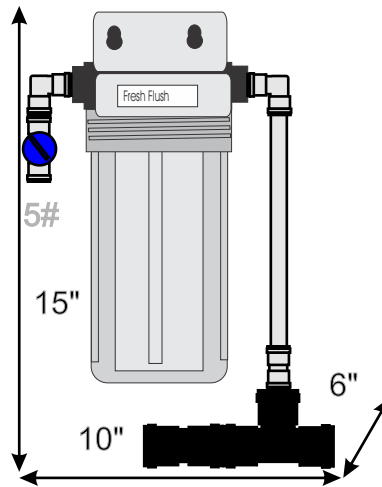


Sea-R.O. Component Dimensions and Weight

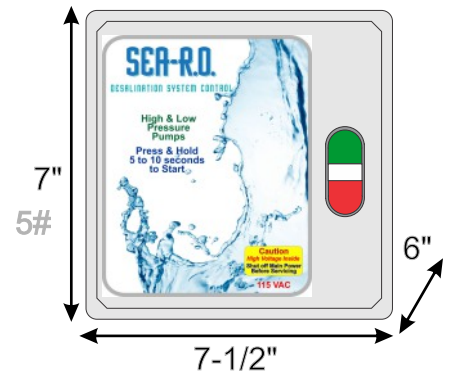
PREFILTRATION



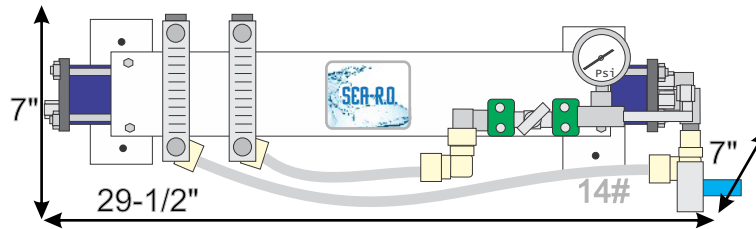
FRESH WATER FLUSH



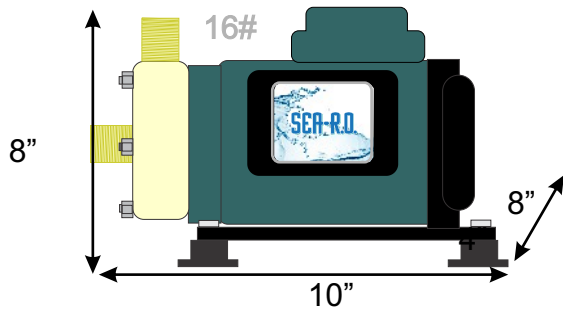
CONTROL PANEL



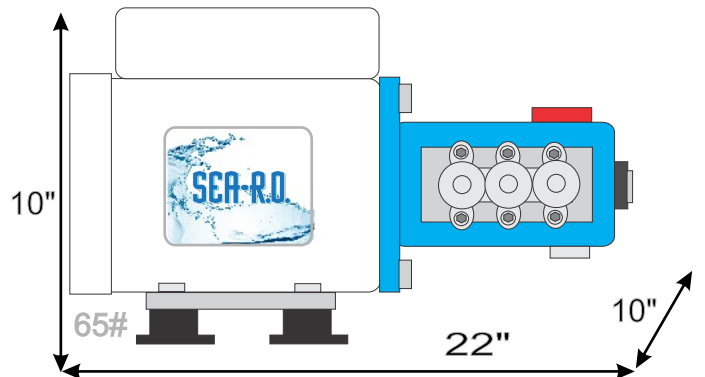
PRESSURE VESSEL ARRAY



FEED PUMP



HIGH PRESSURE PUMP



Naked Nautilus NN300 Watermaker