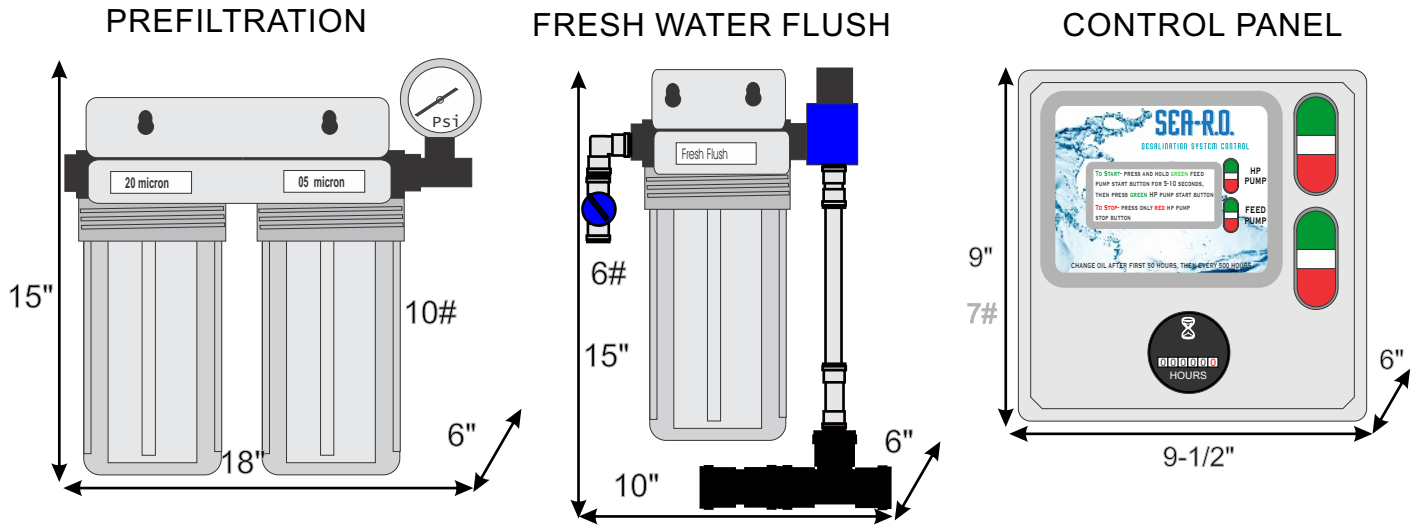
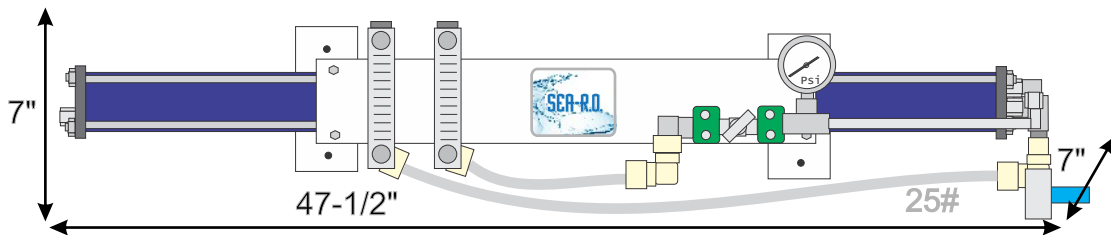


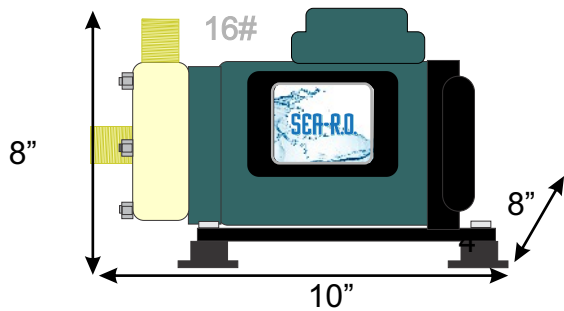
# Sea-R.O. Component Dimensions and Weight



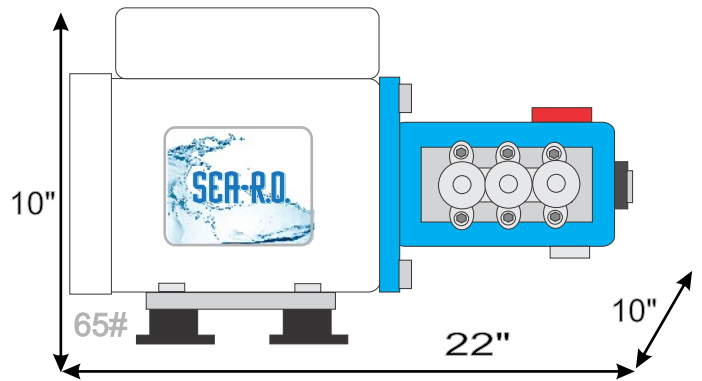
## PRESSURE VESSEL ARRAY



## FEED PUMP



## HIGH PRESSURE PUMP



## Nautilus NS500 Watermaker