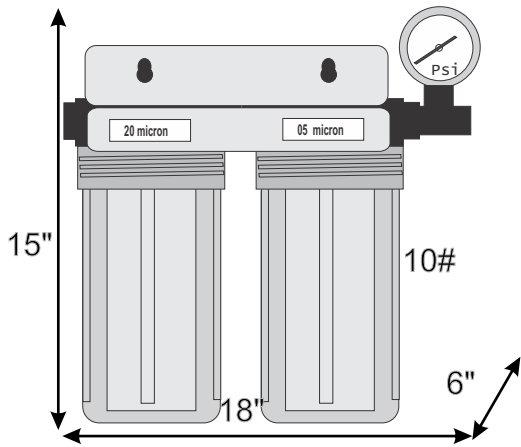
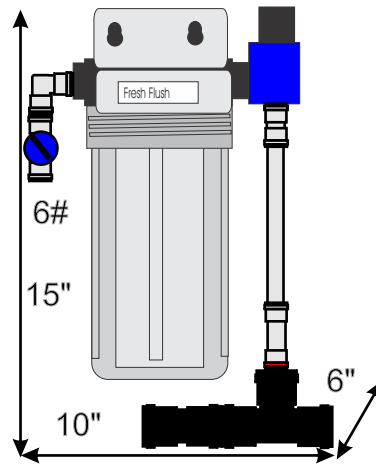


Sea-R.O. Component Dimensions and Weight

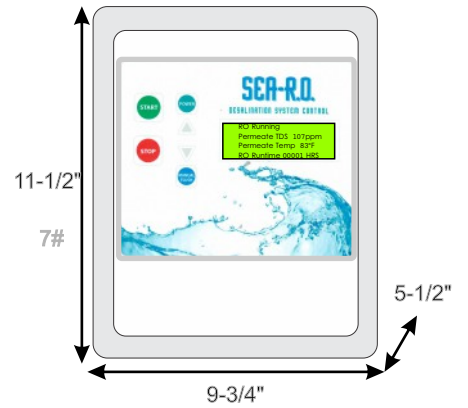
PREFILTRATION



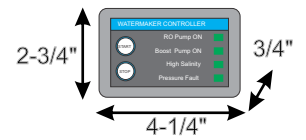
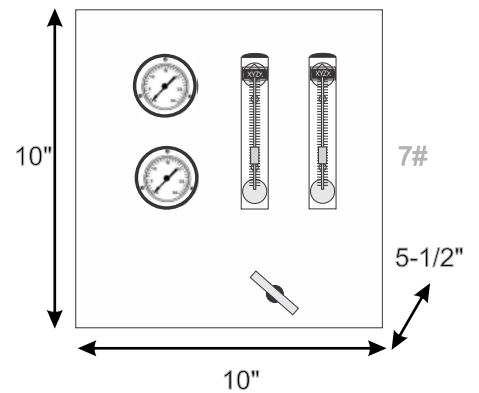
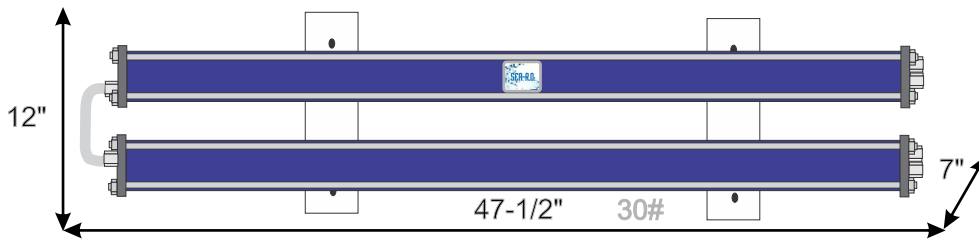
FRESH WATER FLUSH



CONTROL PANEL

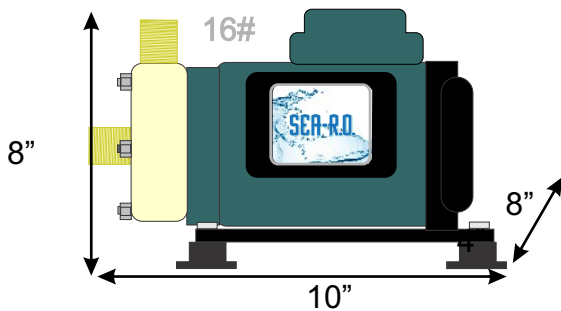


PRESSURE VESSEL ARRAY

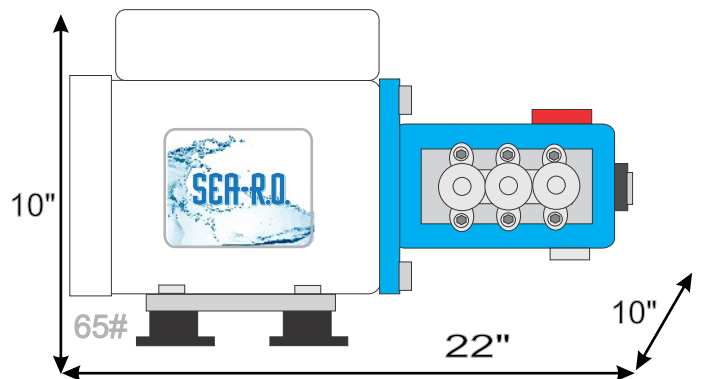


Remote Control

FEED PUMP



HIGH PRESSURE PUMP



Sea Horse SH800 Watermaker